



# SMART Board® MX (V5) Pro series with iQ



Display	
Screen sizes (diagonal)	55"   65"   75"   86"
Backlight	LED
Aspect ratio	16:9
Maximum display resolution	4K UHD (3840 × 2160)
Refresh rate	60 Hz
Lifespan	≥ 50,000 hours
Brightness <sup>1</sup>	55": 300 cd/m <sup>2</sup> 65", 75", 86": 400 cd/m <sup>2</sup>
Display response time	≤ 8 ms
Viewing angle	178°
Glass	55": Full heat-tempered   Anti-glare 65", 75", 86": Full heat-tempered   Anti-glare   Bonded
Frame color	White
Convenience buttons	Power   Home   Volume   Input select   Screen shade   Freeze frame
Sensors	Ambient light   Infrared
Audio	55": 2 integrated 15 W speakers 65", 75", 86": 2 integrated 20 W speakers  Integrated linear six-microphone array with support for onboard acoustic echo cancellation

## NFC

Integrated RFID NFC reader/writer CCID (chip card interface device) when used with a native operating system driver for Windows®, Linux®, or Mac  
 Supported protocols: ISO 14443A/B, ISO 15693, NFC Tag 1-4

## Interactive experience

Touch technology	HyPr Touch™ with Advanced IR
Touch features	Simultaneous tool differentiation Object Awareness™ Silktouch™
Typical touch response time	≤ 5 ms
Frame rate	≥ 200 Hz
Accuracy	1 mm
Minimum object size	2 mm
Multitouch capabilities	40 – Windows 32 – Android™ 20 – Mac 10 – Chrome OS™
Tools included	Pens (x2)
Tool holders	Magnetic   Frame-mounted

<sup>1</sup>Brightness of individual displays can vary.

Software	
<b>Included</b>	iQ embedded Android OS SMART Meeting Pro® <ul style="list-style-type: none"> <li>Room license</li> <li>Personal licenses (×10)</li> </ul> SMART Product Drivers and SMART Ink® SMART Remote Management <sup>2</sup>
<b>Optional</b>	SMART TeamWorks™

iQ embedded Android OS	
<b>Operating system</b>	Android version 13.0 (forward compatible)
<b>CPU</b>	Octa-core
<b>Memory</b>	8 GB DDR4
<b>OS architecture</b>	64-bit
<b>Storage</b>	64 GB (up to 576 GB)
<b>User interface</b>	4K UHD (3840 × 2160)
<b>Digital whiteboard</b>	✓
<b>Web browser</b>	✓
<b>Screen sharing</b>	✓
<b>Google Play™ Protect Certified<sup>3</sup></b>	✓
<b>Google Play Store</b>	✓
<b>Other features</b>	Personalized home screen and settings Input select Split screen Picture-in-picture (PIP) with touch pass-through Templates File and app libraries
<b>Ability to run third-party applications</b>	✓
<b>Cloud storage access</b>	✓
<b>NFC sign in to a SMART Account</b>	✓
<b>Device-based sign in to a SMART Account</b>	✓

<sup>2</sup>Subscription for the length of the included warranty

<sup>3</sup>Pending final testing

Languages supported	Basque   Catalan/Valencian   Chinese (simplified)   Chinese (traditional)   Czech   Danish   Dutch   English   Estonian   Finnish   French   Galician   German   Greek   Hungarian   Italian   Japanese   Korean   Latvian   Lithuanian   Norwegian   Polish   Portuguese   Romanian   Russian   Slovak   Slovenian   Spanish   Swedish   Ukrainian   Vietnamese   Welsh
Updates	Automatic over-the-air (OTA)

PC computing	
<b>OPS support<sup>4</sup></b>	SMART PCM modules
<b>PC module power supported OPS</b>	85 W
<b>Optional computing module</b>	See > <a href="https://smarttech.com/accessories">smarttech.com/accessories</a>

Inputs	Front	Back
OPS PC accessory slot	–	1
microSD slot with security cover	–	1
HDMI® 2.1 4K @ 60Hz with HDCP 1.4, HDCP 2.3, ARC, and eARC support <sup>5</sup>	1	3
VGA video	–	1
Stereo 3.5 mm (variable)	–	1
RS-232 (DB-9 connector)	–	1
RJ45 (LAN IN)	–	1
USB Type-C 4K @ 60Hz Display Port 1.2, HDCP 2.3 and HDCP 1.3, USB 2.0 (UFP) for touch and digital audio, USB 3.2 Gen 1 (DFP) for peripherals; 27 W power delivery	1	–
USB Type-C, 4K @ 60Hz, Display Port 1.2, USB 2.0 (UFP) for touch and digital audio, USB 3.2 Gen 1 (DFP) for peripherals; 65W power delivery	–	1
USB 2.0 Type-A	–	1
USB 3.2 Gen 1 Type-A	2	2
USB 3.2 Gen 1 Type-B	1	3

<sup>4</sup>The support and performance of third-party OPS (Open Pluggable Specification) and OPS-C modules may vary. Conduct proper compatibility testing to avoid potential issues.

<sup>5</sup>ARC and eARC support are available only with the HDMI 2 input.

Outputs	Front	Back
HDMI 2.1 4K @ 60Hz with HDCP 2.3 support	–	1
USB Type-C 4K @ 60Hz Display Port 1.4a, HDCP 2.3 and HDCP 1.3, USB 3.2 Gen 1 (DFP) for touch ingest and peripherals; 4.5 W power delivery	–	1
Stereo 3.5 mm (variable)	–	1
S/PDIF optical (fixed)	–	1
RJ45 (LAN OUT)	–	1

Included cables and accessories	Qty
Country-specific power cable	1
16' 5" (5 m) USB 2.0 A to B cable	1
6' (1.8 m) USB 3.2 Gen 1 Type-C cable, 5A	1
Pens	2
External tri-band Wi-Fi (2.4, 5, and 6-7.2 GHz) and Bluetooth® (2.4 GHz) antennas	2
Remote control	1
AAA batteries	2
Illustrated installation instructions	1
Important information document	1

Connectivity	
<b>Wired</b>	RJ45 (x2) 1000BASE-T
<b>Wi-Fi</b>	IEEE 802.11ax (Wi-Fi 6e) supporting WPA, WPA2, WPA3 PSK, and 802.1X EAP authentication protocols
<b>Bluetooth</b>	5.2 dual mode

Storage and operating requirements	
<b>Power requirements</b>	100V to 240V AC, 50 Hz to 60 Hz
<b>Operating temperature</b>	41–95°F (5–35°C)
<b>Storage temperature</b>	–4–140°F (–20–60°C)
<b>Humidity</b>	5–80% relative humidity, non-condensing

Power consumption	
<b>Typical</b>	55": 72 W 65": 90 W 75": 103 W 86": 149 W
<b>Standby</b>	0.2 W

Certification and compliance <sup>6</sup>	
<b>Regulatory models</b>	IDX55-5   IDX65-5   IDX75-5   IDX86-5
<b>US / Canada</b>	UL   FCC   ISED   TSCA   CONEG Packaging   Proposition 65
<b>EU / EEA / EFTA / UK</b>	CE   UKCA   LVD   CB   EMC   RED   REACH   RoHS   Battery   WEEE   Packaging   POP   Ecodesign
<b>Australia / New Zealand</b>	RCM   RSM
<b>Performance standards</b>	ENERGY STAR®   HDMI   HDCP

Purchasing information <sup>7</sup>	
Order numbers	
<b>MX255-V5-PW</b>	SMART Board® MX055-V5 Pro interactive display with iQ
<b>MX265-V5-PW</b>	SMART Board MX065-V5 Pro interactive display with iQ
<b>MX275-V5-PW</b>	SMART Board MX075-V5 Pro interactive display with iQ
<b>MX286-V5-PW</b>	SMART Board MX086-V5 Pro interactive display with iQ

Optional accessories	
<b>WM-SBID-200</b>	SMART Wall Mount for SMART MX series interactive displays
<b>SWC-120UHD</b>	SMART Ultra HD Camera 120
<b>Other accessories</b>	See > <a href="https://www.smarttech.com/accessories">smarttech.com/accessories</a>

SMART Warranty	
	Terms and conditions and warranty upgrade options vary by region. Visit <a href="https://www.smarttech.com/warranty">smarttech.com/warranty</a> or contact your reseller for information.

<sup>6</sup>Product availability may vary by region.

This product has received additional certifications not listed here.

<sup>7</sup>Order numbers may vary by region.

## Cable requirements

See > *SMART cables and connectors guide*  
([docs.smarttech.com/kb/171926](https://docs.smarttech.com/kb/171926))



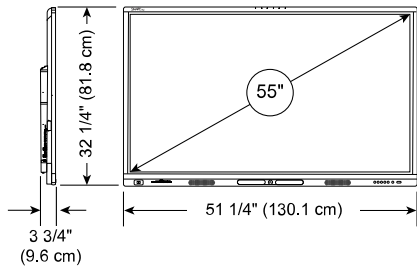
**Installation, dimensions, and weights**

**Notes**

- All dimensions  $\pm 1/8"$  (0.3 cm). All weights  $\pm 2$  lb. (0.9 kg). All dimensions and weight values are preliminary and subject to change.
- Product ships upright.
- Leave space around the display to ensure adequate ventilation.

**55" models**

**Dimensions**



**Weight**

71 lb. (32 kg)

**Shipping dimensions (including pallet)**

56 1/8"  $\times$  43 3/4"  $\times$  6 1/4"  
(142.5 cm  $\times$  111 cm  $\times$  16 cm)

**Shipping weight**

103 lb. (47 kg)

**VESA mount**

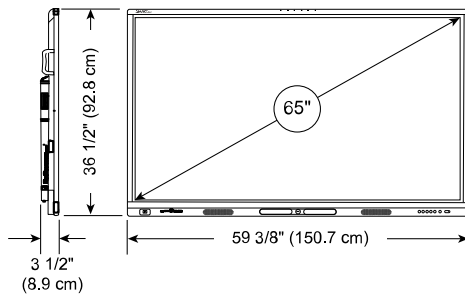
M8 | 400  $\times$  400 mm

**Handles**

–

**65" models**

**Dimensions**



**Weight**

89 lb. (40 kg)

**Shipping dimensions (including pallet)**

63 3/4"  $\times$  45 7/8"  $\times$  6 1/4"  
(162 cm  $\times$  116.5 cm  $\times$  16 cm)

**Shipping weight**

124 lb. (56 kg)

**VESA mount**

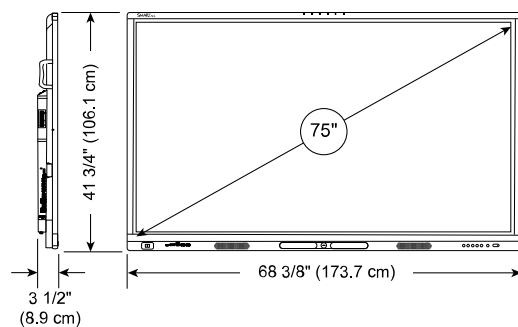
M8 | 600  $\times$  400 mm

**Handles**

2

**75" models**

**Dimensions**



**Weight**

119 lb. (54 kg)

**Shipping dimensions (including pallet)**

71 5/8"  $\times$  50 5/8"  $\times$  6 1/4"  
(182 cm  $\times$  128.5 cm  $\times$  16 cm)

**Shipping weight**

159 lb. (72 kg)

**VESA mount**

M8 | 800  $\times$  400 mm

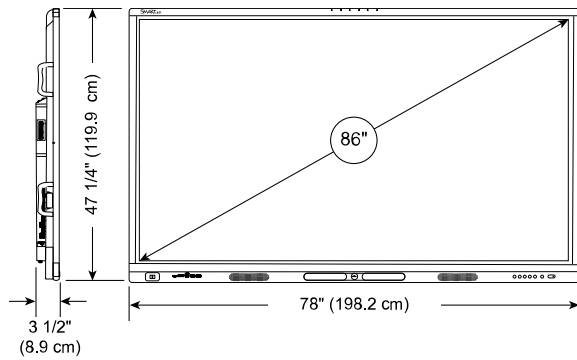
**Handles**

2

## Installation, dimensions, and weights (continued)

### 86" models

#### Dimensions



#### Weight

150 lb. (68 kg)

#### Shipping dimensions (including pallet)

85 1/4" × 56 7/8" × 6 1/4"  
(216.5 cm × 144.5 cm × 16 cm)

#### Shipping weight

207 lb. (94 kg)

#### VESA mount

M8 | 800 × 600 mm

#### Handles

4

[smarttech.com](http://smarttech.com)  
[smarttech.com/contact](http://smarttech.com/contact)

© 2024 SMART Technologies ULC. All rights reserved. SMART Board, SMART Meeting Pro, SMART TeamWorks, SMART Ink, HyPr Touch, Simultaneous Tool Differentiation, Object Awareness, SilkTouch, smarttech, the SMART logo and all SMART taglines are trademarks or registered trademarks of SMART Technologies ULC in the US and/or other countries. The Adopted Trademarks HDMI, HDMI High-Definition Multimedia Interface, and the HDMI Logo are trademarks or registered trademarks of HDMI Licensing Administrator, Inc. in the United States and other countries. The Bluetooth word mark is owned by the Bluetooth SIG, Inc. and any use of such marks by SMART Technologies ULC is under license. Android and Chrome OS are trademarks of Google Inc. All other third-party product and company names may be trademarks of their respective owners. This product and/or use thereof is covered by one or more of the following US patents: [www.smarttech.com/patents](http://www.smarttech.com/patents). Contents are subject to change without notice. August 28, 2024.